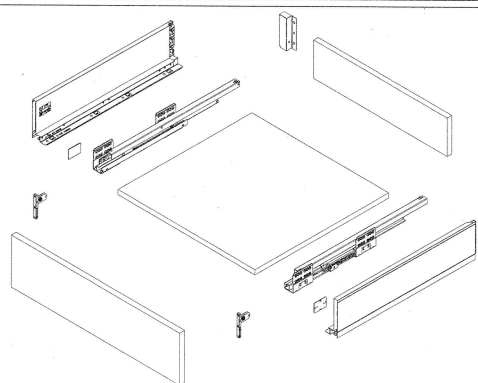

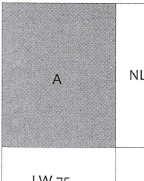
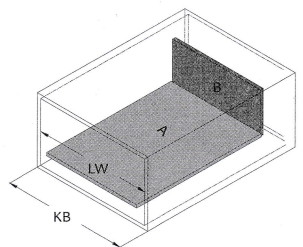
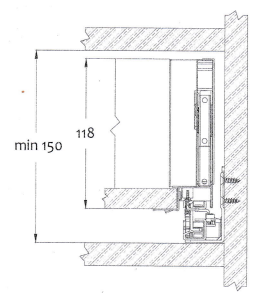
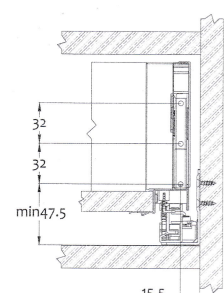
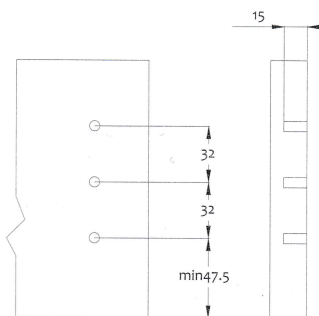
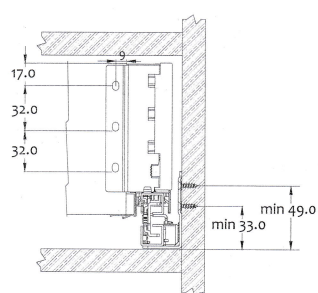
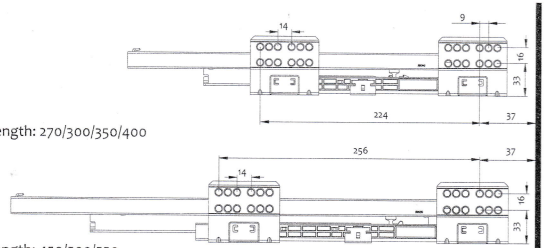
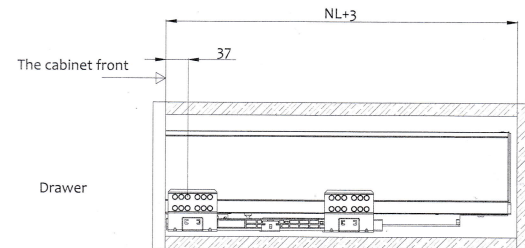
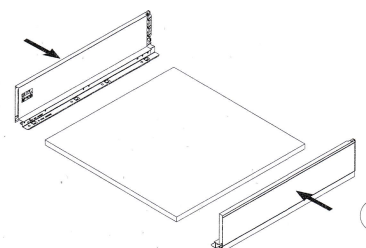
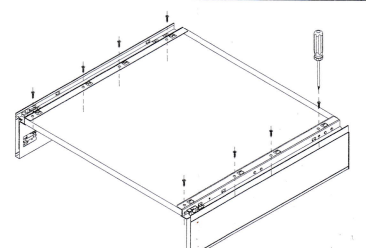
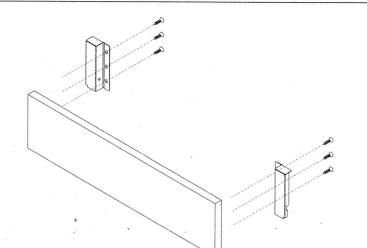
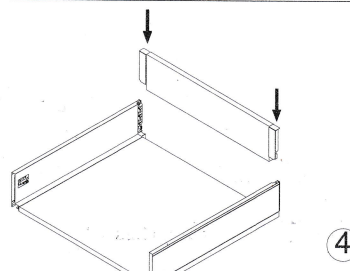
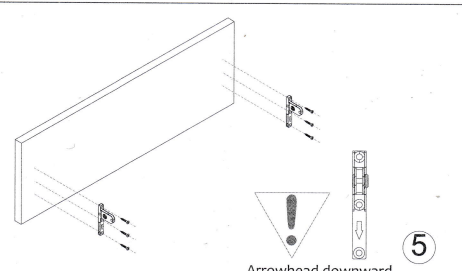
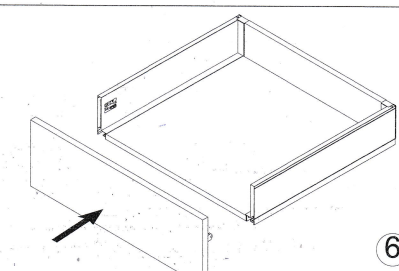
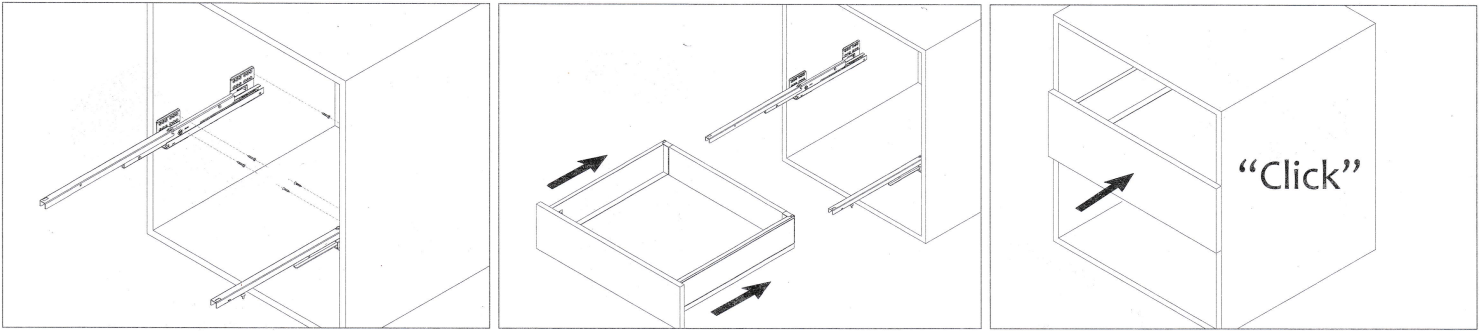


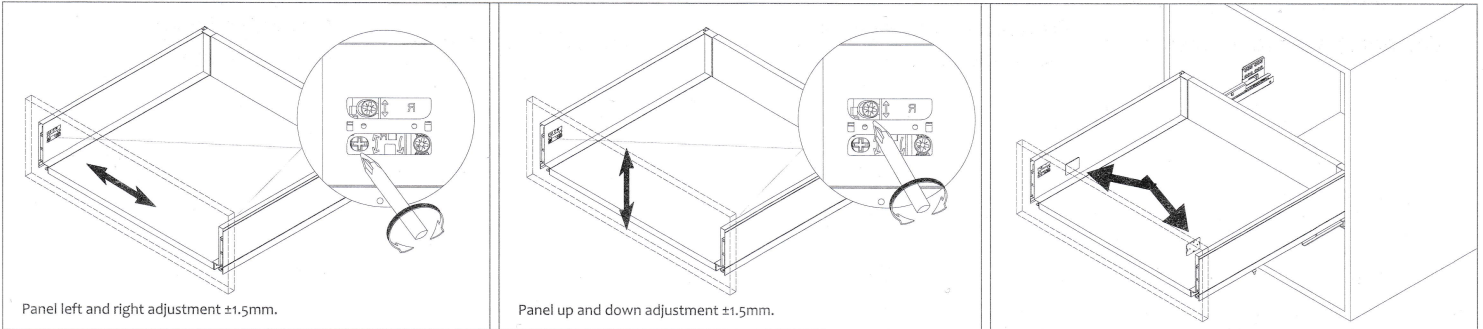
# Slim double wall drawer slide, height 118mm

<h3>Basic components</h3> 	<h3>Cutting dimensions of 16mm thick MDF</h3> <div style="display: flex; justify-content: space-around;"> <div style="text-align: center;">  <p>Back panel</p> </div> <div style="text-align: center;">  <p>Bottom plate Wood backplane NL-24mm</p> </div> </div> <div style="text-align: right;">  <p>KB : Cabinet width LW : Internal cabinet width NL : Nominal length</p> </div>		
<h3>Cabinet space requirements</h3> 	<h3>Front connectors panel mounting dimensions</h3> 	<h3>Front panel drilling pattern</h3> 	<h3>Mounting dimensions for the back plate</h3> 
<h3>Slide mounting hole distance</h3>  <p>Nominal length: 270/300/350/400</p> <p>Nominal length: 450/500/550</p>	<h3>The cabinet body rail mounting dimensions</h3>  <p>NL Nominal length</p>		
<h3>Drawer installation</h3>			
 <p style="text-align: right;">①</p>	 <p style="text-align: right;">②</p>	 <p style="text-align: right;">③</p>	
 <p style="text-align: right;">④</p>	 <p style="text-align: center;">! Arrowhead downward</p> <p style="text-align: right;">⑤</p>	 <p style="text-align: right;">⑥</p>	

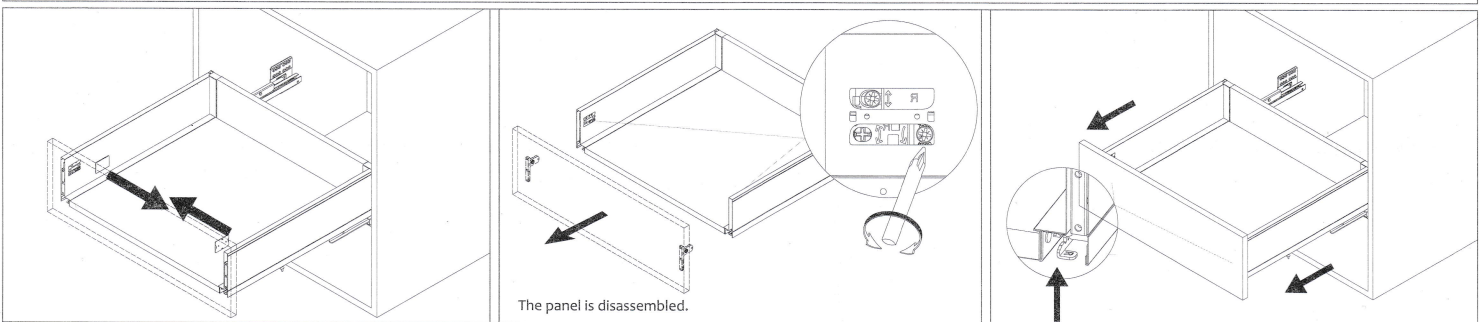
### Drawer installation to the cabinet.



### Front panel adjustment.



### Drawer disassembly.



### Drawer removal

